

# ACO Product Catalogue

## ACO Access Cover

SERVOKAT SMART  
SERVOKAT GD FR

# ACO Access Cover SERVOKAT SMART D400

## Product information

- Type tested and certified according to EN124:2015
- Meets declared load class up to D400
- Opening assistance contributed by mechanical torsion springs
- Easy lock and simple hinges not interfering the clear opening
- Cushioning inserts reducing noise from traffic
- Equipped with a seal designed to avoid water collection between the cover's frame and lid
- Corrosion resistant – hot dip galvanized mild steel / pickled passivated stainless steel
- Secure and time saving installation – no frame work application for installation
- Very shallow installation height – ONLY 80 mm

- ACO Access Cover Servokat SMART is the best solution when cover has to be frequently opened and closed in order to inspect or maintain shaft's area of cover underneath.
- ACO Access Cover Servokat SMART is equipped by opening assistance technology allows easy and convenient opening by one person.
- All cover's parts are not interfering clear opening in order to bring as safe and easy cover usage as possible
- ACO Access Cover Servokat SMART is fully certified according to EN 124:2015 load class D400
- Ideal solution for application requiring a shallow installation while maintaining safety, functionality and very high load resistance

GS - hot dip galvanized mild steel (1.0037)

SS - pickle passivated stainless steel (1.4301)

## Order information

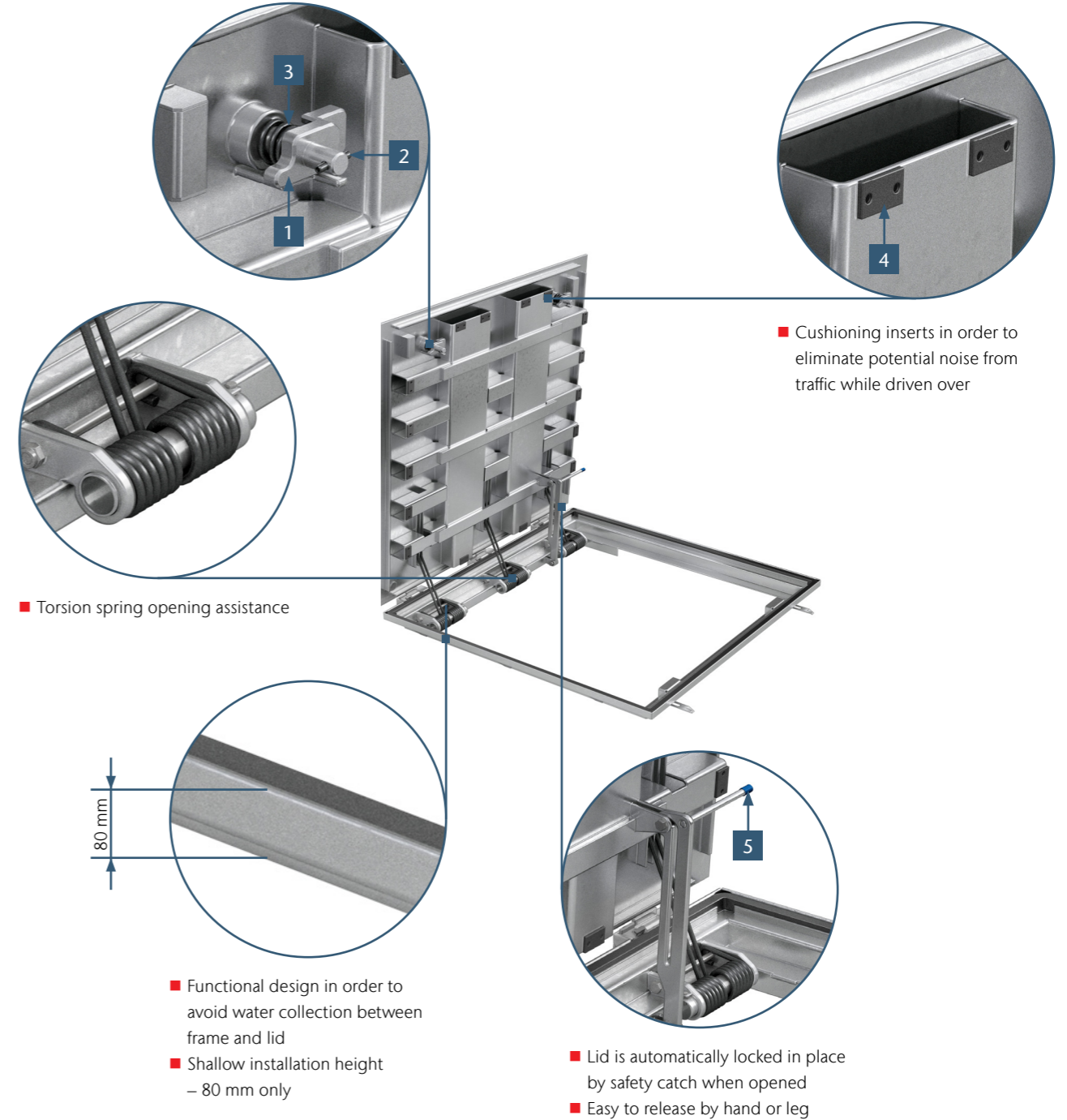
Clear opening (A x B) [mm]	External dimensions (C x D) [mm]	Frame height [mm]	Load class (EN124)	Weight [kg]	Part No.	
					GS (1.0037)	SS (1.4301)
1000 x 1000	1241 x 1206	80	D400	206	448138	448137
900 x 900	1141 x 1106	80	D400	180	448140	448139
800 x 800	1041 x 1006	80	D400	147	448142	448141
700 x 700	941 x 906	80	D400	124	448144	448143
600 x 600	841 x 806	80	D400	99	448146	448145
600 x 800	841 x 1006	80	D400	122	448148	448147
600 x 900	841 x 1106	80	D400	135	448150	448149
800 x 1000	1041 x 1206	80	D400	173	448152	448151
1000 x 1500	1241 x 1706	80	D400	280	448154	448153
900 x 1200	1141 x 1406	80	D400	220	448156	448155
1000 x 1200	1241 x 1406	80	D400	234	449664	449663

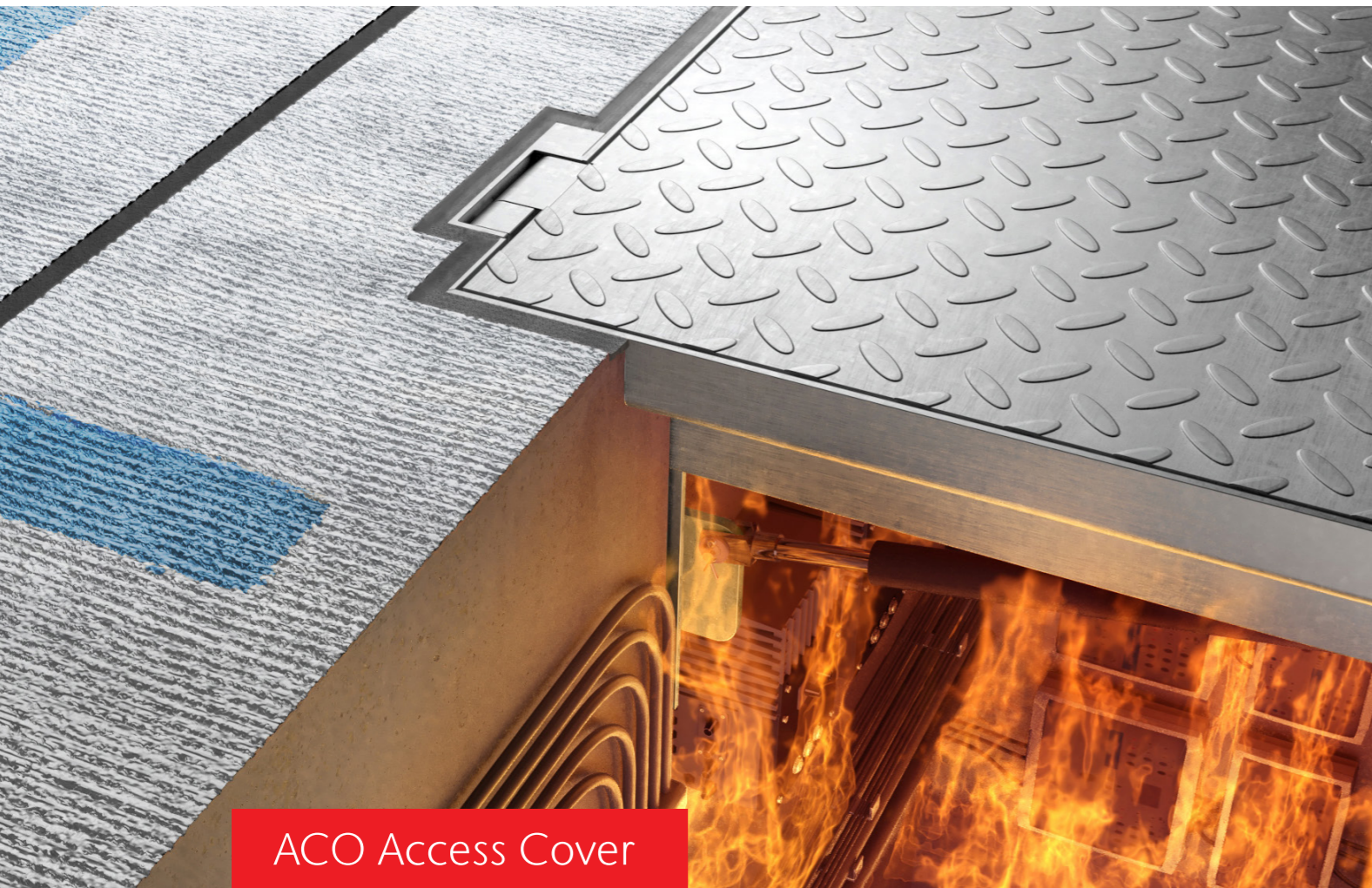
## Spare parts:

Image No.	Name	Article No.
1	Turn buckle element	NM19944
2	Screw of turn buckle	NM19597
3	Spring of turn buckle	NM19607
4	Cushioning insert	E68190

Image No.	Name	Article No.
5	Cap of secure rod	NM20269
6	Plastic cap	E68756
7	Plastic cap	E68758

- Easy, fast and flawless lock system does not interfere clear opening
- Equipped with a seal designed to avoid water collection between the cover's frame and lid
- Lifting key to open/close from above





## ACO Access Cover SERVOKAT GD FR

### Product information

The ACO Servokat Fire Resistance (FR) have been developed to provide a practical and safe access solution to underneath areas for infrastructural and industrial applications. Closed ACO Servokat FR resists fire to protect the area above the cover, thus significantly contribute to the protection of local areas and floors in the event of fire.

Servokat (FR) is classified E120, EI,60, EI<sub>2</sub> 60.

- The Fire resistance classification has been performed and assessed by the authorised laboratory PAVUS a.s. (authorised body AO 216) according to EN 1634-1 + A1, EN 1363-1, ČSN 73 0810.
- The fire resistance classification of ACO Servokat FR is declared by „Fire classification approval of fire resistance“.

## ACO Access Cover SERVOKAT GD FR

### Product information

- Fire resistance E120, EI, 60, EI<sub>2</sub> 60 (tested according to EN 1634-1 + A1, EN 1363-1, ČSN 73 0810) ) assured with a fire resistance equipment
- Type tested and certified according to EN124:2015
- Meets declared load class B125 and D400
- Hot dip galvanized mild steel
- Opening and closing from above as well as for quick opening from underneath as emergency exit solution without using a tool

- ACO Servokat-GD Access covers (gas actuated) are the right solution when covers have to be frequently used for maintenance or inspection purposes. As the cover is fitted with an opening assistance it can be opened by just one person without having to use any additional lifting tools.
- The emergency exit covers are fitted with special locks and reinforced opening tools in accordance with their purpose. This makes the covers very easy to open from below. The locks used in these versions can be operated from above or below.

### Load class B 125

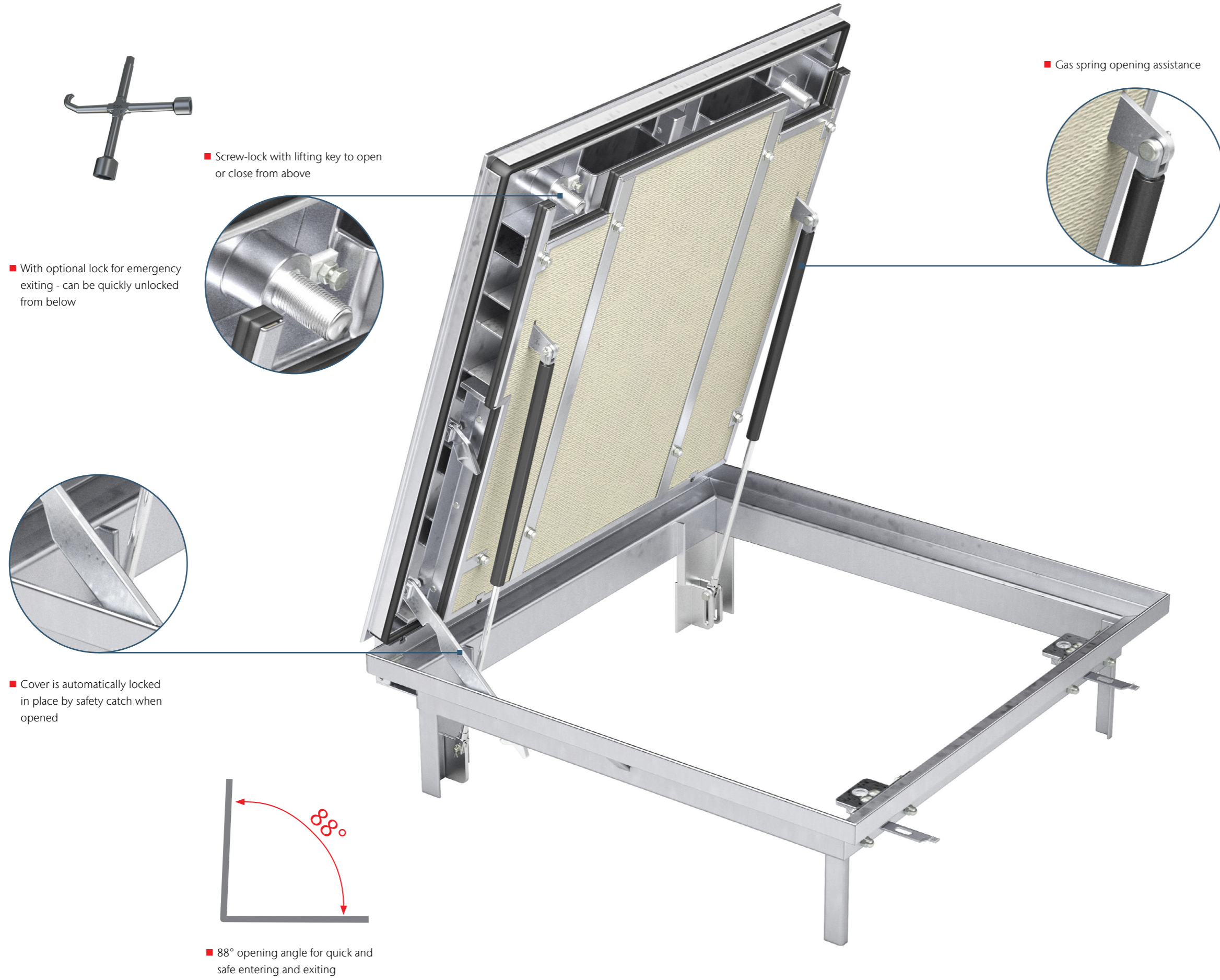
#### Order information – Galvanised steel

Clear opening (A x B)	External dimensions (C x D)	Frame height	Load class (EN 253)	Weight	E	EI	Lock type NORMAL	Lock type EMERGENCY EXIT
[mm]	[mm]	[mm]		[kg]			Part No.	Part No.
600x800	744x944	130	B125	132.2	E120	EI60	448168	–
600x800	744x944	130	B125	138.3	E120	EI60	–	448171
800x800	944x944	130	B125	160.6	E120	EI60	448158	–
800x800	944x944	130	B125	166.7	E120	EI60	–	448162
800x1000	944x1144	130	B125	181.9	E120	EI60	448167	–
800x1000	944x1144	130	B125	188	E120	EI60	–	448173
1000x1000	1144x1144	130	B125	217.2	E120	EI60	448159	–
1000x1000	1144x1144	130	B125	223.3	E120	EI60	–	448169

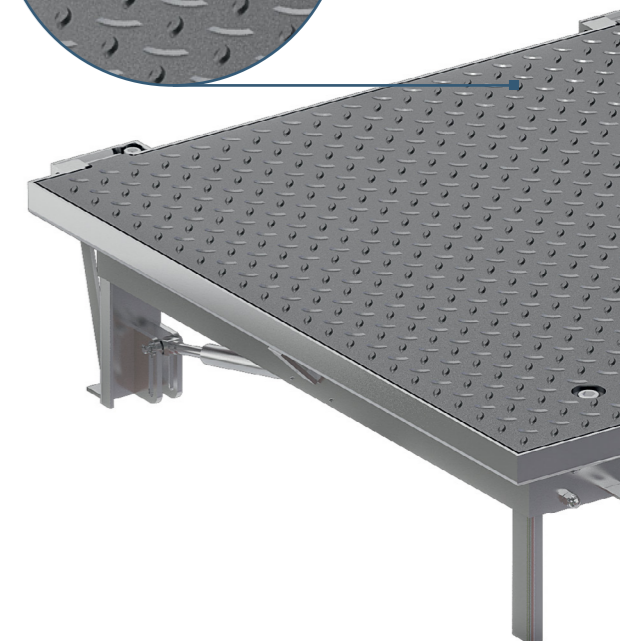
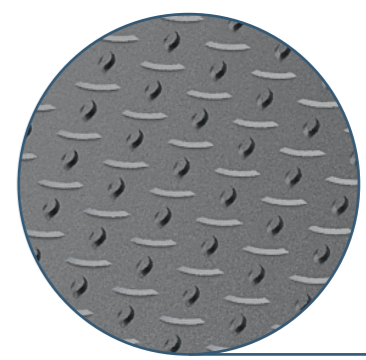
### Load class D 400

#### Order information – Galvanised steel

Clear opening (A x B)	External dimensions (C x D)	Frame height	Load class (EN 253)	Weight	E	EI	Lock type NORMAL	Lock type EMERGENCY EXIT
[mm]	[mm]	[mm]		[kg]			Part No.	Part No.
600x800	744x944	130	D400	141.8	E120	EI60	448190	–
600x800	744x944	130	D400	147.9	E120	EI60	–	448195
800x800	944x944	130	D400	172	E120	EI60	448179	–
800x800	944x944	130	D400	178.2	E120	EI60	–	448184
800x1000	944x1144	130	D400	196.7	E120	EI60	448192	–
800x1000	944x1144	130	D400	202.8	E120	EI60	–	448188
1000x1000	1144x1144	130	D400	235.9	E120	EI60	448180	–
1000x1000	1144x1144	130	D400	242	E120	EI60	–	448182



■ Surface has a diagonally-ribbed corrugated structure



ACO products support  
the ACO WaterCycle



- 
- ACO Access Covers SERVOKAT SMART
  - ACO Access Covers SERVOKAT GD  
Fire Resistance (FR)
- 

ACO Industries k.s.

Havlickova 260  
582 22 Pribyslav  
Czech Republic

[www.aco-accesscovers.com](http://www.aco-accesscovers.com)

All reasonable care has been taken in compiling the information in this document. All recommendations and suggestions on the use of ACO products are made without guarantee since the conditions of use are beyond the control of the Company. It is the customer's responsibility to ensure that each product is fit for its intended purpose and that the actual conditions of use are suitable. This brochure and any advice is provided free of charge and accordingly on terms that no liability (including liability for negligence) will attach the Company or its servants or agents arising out of or in connection with or in relation to this brochure or any such advice. Any goods supplied by the Company will be supplied solely upon its standard conditions of sale, copies of which are available on request. The Company's policy of continuous product development and improvement renders specifications liable to modification. information provided in this brochure is therefore subject to change without prior notification.